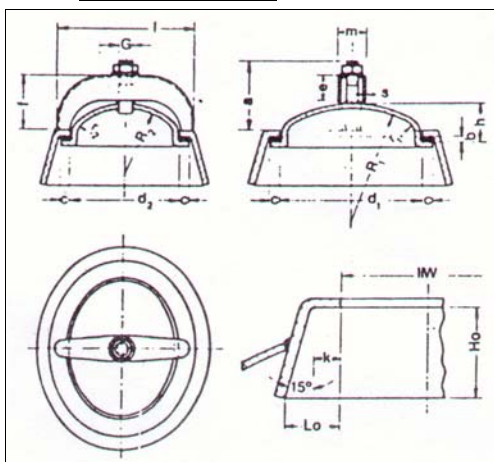


## KÄSI-, PÄÄ- JA MIESLUUKUT

### KÄSILUUKKU

- kartiomaisella kehällä

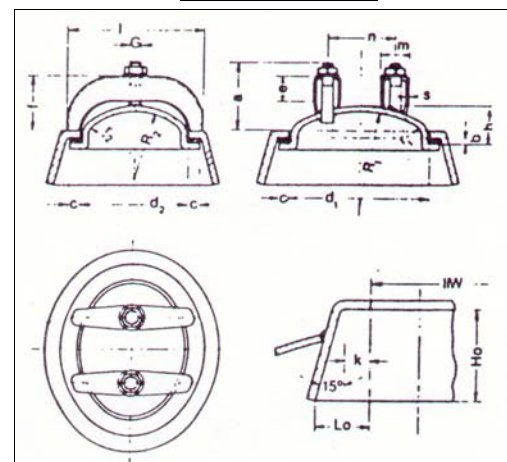
Lo	Ho
26,5	35,0
30,5	50,0
33,5	60,0
36,0	70,0
38,7	80,0



### PÄÄ- JA MIESLUUKKU

- kartiomaisella kehällä

Lo	Ho
44,0	60,0
49,5	80,0
55,0	100,0
60,0	120,0
65,5	140,0



liW	80/120	100/150	150/200
R <sub>1</sub>	120	150,0	200,0
R <sub>2</sub>	64	80,0	120,0
r <sub>1</sub>	12	15,0	20,0
r <sub>2</sub>	12,3	15,4	23,0
c	15,0	15,0	15,0
d <sub>1</sub>	120,0	150,0	200,0
d <sub>2</sub>	80,0	100,0	150,0
a	90,0	95,0	120,0
o	32,0	35,0	42,0
a	3,0	3,0	5,0
m	36,0	39,0	46,0
b	7,0	7,0	7,0
h	33,0	33,0	45,0
i	110,0	130,0	185,0
f	62,0	72,0	90,0
k	15,0	15,0	15,0
g	M16	M16	M20

liW	220/320	300/400	320/420	350/450
R <sub>1</sub>	320,0	400,0	420,0	450,0
R <sub>2</sub>	134,0	240,0	230,0	260,0
r <sub>1</sub>	32,0	40,0	42,0	45,0
r <sub>2</sub>	32,0	46,0	42,0	45,0
c	25,0	25,0	25,0	25,0
d <sub>1</sub>	320,0	400,0	420,0	450,0
d <sub>2</sub>	220,0	300,0	320,0	350,0
a	145,0	185,0	190,0	215,0
o	50,0	60,0	60,0	70,0
a	6,0	7,0	7,0	8,0
m	55,0	75,0	75,0	90,0
b	10,0	10,0	10,0	10,0
h	75,0	95,0	95,0	105,0
i	255,0	340,0	340,0	370,0
f	112,0	146,0	146,0	175,0
k	25,0	25,0	25,0	25,0
n	125,0	175,0	195,0	220,0
g	M20	M24	M24	M30